

FABIO FARÈ VELOCE LT 2.0 USER MANUAL

(VI)

READ THE ENTIRE MANUAL CAREFULLY BEFORE USE.

Thank you for purchasing an original Fabio Farè product. Your support allows us to continue developing and improving our high-quality components.

All our products are designed and manufactured in-house using state-of-the-art CNC machining, followed by meticulous hand finishing to ensure uncompromised precision and smooth operation.

Due to its characteristics, the use of this trigger is **not recommended for inexperienced shooters**.

The company declines all responsibility for any use other than those described in this manual.

TRIGGER DESCRIPTION

The **Veloce LT** is a **single-stage trigger**, designed to be simple, safe, and robust. Its mechanism allows an extremely short trigger stroke, a low pull weight, and creep-free operation.

- Designed to for **Remington 700 clone actions** (it does not have a bolt release).
- The pull weight can be adjusted from **80g to 250g (2.8 oz to 8.8 oz)** without the need to replace any springs.
- It contains no ball bearings or other sensitive components that could make the trigger delicate. Its simplicity and sturdiness make it ideal for maximum performance in **Precision Shooting** and **F-Class** disciplines.
- It comes with a **trigger shoe adjustable in three positions** and can be supplied with a **safety**.
- If supplied without safety, it has a **closure that prevents dirt** from entering the mechanism.
- It can be supplied with **four different trigger shoes**, with different shapes (**two curved and two flat types**).

SAFETY INSTRUCTIONS

⚠ WARNING

The **Veloce LT** trigger is a high-precision component that must be handled with extreme care. Failure to follow these safety instructions may result in serious injury or death.

- **Trigger installation** should be performed by a **qualified gunsmith**. Incorrect assembly may compromise the safety and functionality of the rifle and firing system, increasing the risk of serious injury or damage to property. The company assumes no responsibility for improper installation.
- **Trigger adjustment is pre-set before delivery** and should only be modified by expert and authorized personnel. The company assumes no responsibility in case of incorrect setting.
- When the firearm is **loaded**, always disengage the safety **only when aiming at the target or in a safe direction**, as this could cause an **unintentional shot**.

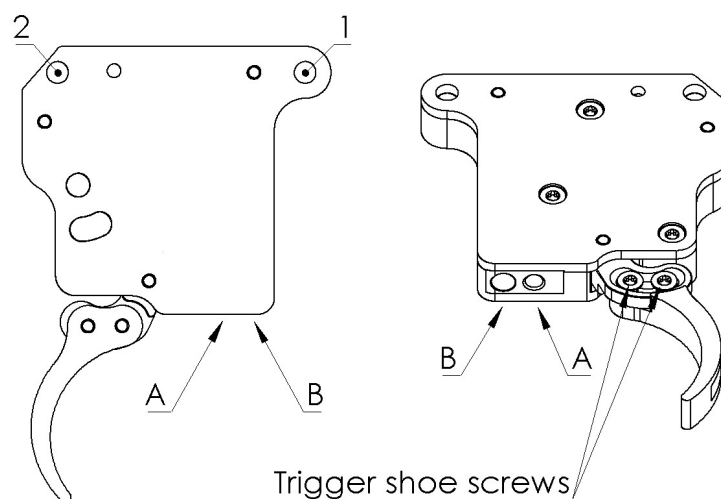
- The **use of lubricants** or accidental contamination of the trigger with lubricants, rifle or barrel cleaning products, or any other substances can **compromise its safety**. Avoid direct contact with any foreign substances.
- The **safety of the trigger system must be checked before each use**, whenever you adjust or clean it, and if the system or the rifle has been subjected to any impact.
- **Any modification or adjustment** of the trigger system can **compromise the safety of the rifle, property, and people**. Incorrect use could result in **injury or death**.
- The company assumes **no responsibility** in case of tampering, modification, incorrect assembly, calibration beyond the specified limits, or if the thread-lock on the locking screws is broken.

By installing and using the **Veloce LT** trigger, the user acknowledges full responsibility for its correct use, maintenance, and compliance with safety guidelines.

INSTALLATION

1. **Make sure that the rifle is unloaded.**
2. Get a **small hammer and a pin driver** less than **1/8" (3.15mm)** in diameter and long enough.
3. **Remove the bolt and the stock.**
4. If present, **place the safety lever in the engaged safety position** to avoid damaging it during the removal of the pins.
5. **Remove pin [1] and pin [2] from the action (Fig.1).**
6. Replace the original trigger with the Veloce LT, ensuring **correct alignment of the pin holes**.
7. Insert the **short pin [1]** first, then the **long pin [2]**. The trigger is supplied without pins, use the original ones previously removed from the action.
8. Check the **proper function of the trigger**.
9. Reassemble the stock, ensuring there is **no interference** with the trigger.
10. Check the trigger to ensure it works **safely and properly**.

Fig.1



(Pull Weight) ADJUSTMENT INSTRUCTIONS

The Veloce LT trigger comes pre-set at approx. **90g (3.2 oz)**, unless a different setting was specifically requested at the time of order.

Adjustments should only be made if strictly necessary, using the supplied **1.5mm Allen wrench**.

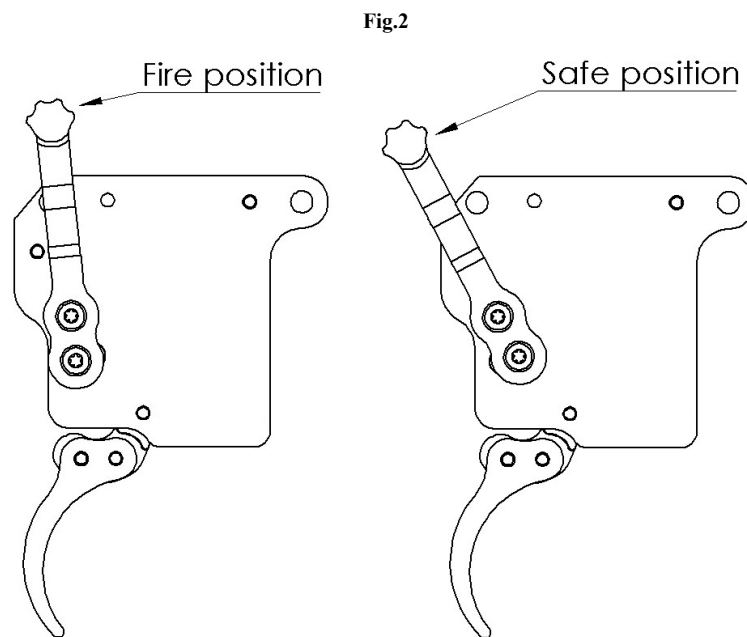
No thread-locker is needed, the screws are mechanically secured with a Nylon insert.

Setting screws:

- **[A] – Pull weight:**
Turn clockwise to increase, counter-clockwise to decrease.
Adjustment range: 80g to 250g (2.8 oz to 8.8 oz).
- **[B] – Sear engagement:**
Factory-set for safety — do not adjust.

After any adjustment, test the trigger multiple times to ensure safe and reliable operation.

If present, also check the proper function of the safety (Fig. 2).



LENGTH OF PULL ADJUSTMENT (LOP)

- The **trigger shoe** has **three fixed positions**:
 - **Central:** Same as the original **Remington 700** trigger.
 - **Front:** **+4mm (+0.16")**
 - **Rear:** **-4mm (-0.16")**
- A **fully adjustable trigger shoe** is available upon request.

(LOP) ADJUSTMENT PROCEDURE:

1. **Unscrew the two screws** with a **T6 Torx wrench** by at least **1.5 turns**.
2. Move the **trigger shoe** to the desired position, aligning the pin correctly.
3. Tighten the screws lightly to test positioning.
4. **Apply light thread-lock** and retighten screws to **0.25 Nm (2.2 in/lb)**.

CLEANING

- **Only clean the trigger after removing it from the rifle.**
- **Do not clean unless necessary.** The design ensures **years of worry-free use** without frequent maintenance.
- For **preventive cleaning**, use **dry compressed air**.
- If deep cleaning is required, use **WD-40**, let sit, and remove excess with compressed air.
- **Never use aggressive chemicals, solvents, or detergents.**

WARRANTY

- **Two-year warranty** covering **manufacturing defects and material quality**.
- Improper use **voids warranty**.
- Contact your **dealer** for any issues.

⚠ NOTE:

- **All screws are locked with strong thread-lock. Do not attempt to unscrew them.**
- **Disassembly, modification, or tampering** voids the warranty.

PLEASE NOTE:

All original **Fabio Farè** products carry the **brand and/or the FF logo**.

If a product lacks these markings, **IT IS NOT ORIGINAL**.

WE DO NOT PROVIDE ASSISTANCE FOR NON-ORIGINAL PRODUCTS.

For inquiries, contact us at **info@fabiofare.it**. We will reply as soon as possible.